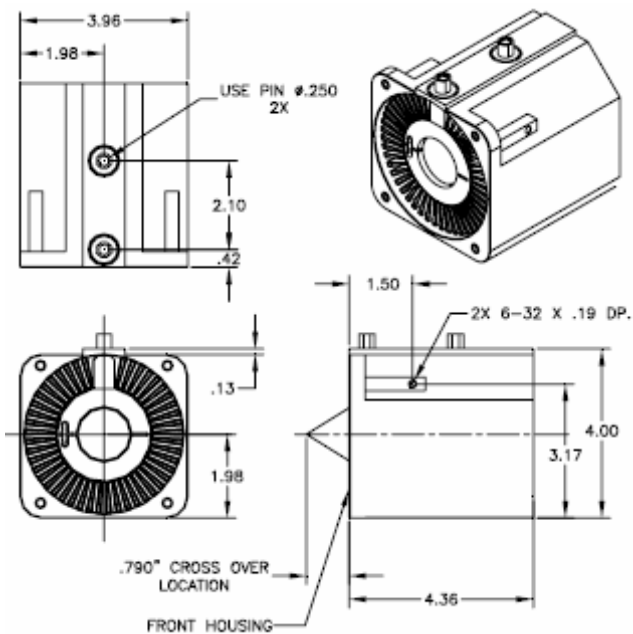


Lamp Module

ONELIGHT
CONTROL MADE SIMPLE

LAMP MODULE SPECIFICATIONS

The OneLight™ Spectra incorporates a 500 Watt xenon arc lamp module, which provides the high-intensity white light required to produce the level of output illumination the Spectra specifies. These lamps are rated for a 2000-hour lifespan, although this number may be greater or lower depending on the style of use and how often the lamp is ignited. Fluctuations in lamp power, as well as lamp decay over time are unavoidable consequences of system use, and thus, lamp replacements are a necessary part of routine system maintenance. The OneLight Spectra has been designed with several features that promote longer and more stable lamp-life, including its low-ripple power supply which is rated for up to 1000 Watts of output power, and its automated control of system power-on and power-off. However, though these features will extend the life of your lamp, OneLight has also engineered the Spectra with a user-replaceable lamp module to minimize the costs and time delays inherent to lamp replacement. OneLight believes that changing lamps should be quick and simple, without requiring the unit to be sent to a dealer or manufacturer for service. With this in mind, the lamp module replacement process only requires a screwdriver to perform, and has been designed to be switched out in minutes.



OneLight's 500 Watt lamp module

Physical Specifications	
Dimensions	11.7 cm x 9.4 cm x 9.9 cm
Ignition Voltage	35 Kilovolts
Total Output (Lumens)	12000 Lumens
Power	500 Watts
Current	32 Amps
Voltage	16 Volts

ONELIGHT CORPORATION
314-1755 WEST BROADWAY,
VANCOUVER, BRITISH COLUMBIA V6J 4S5 CANADA
P: 604.731.7496 | F: 604.731.6948 | WWW.ONELIGHTCORP.COM

ONELIGHT
CONTROL MADE SIMPLE